

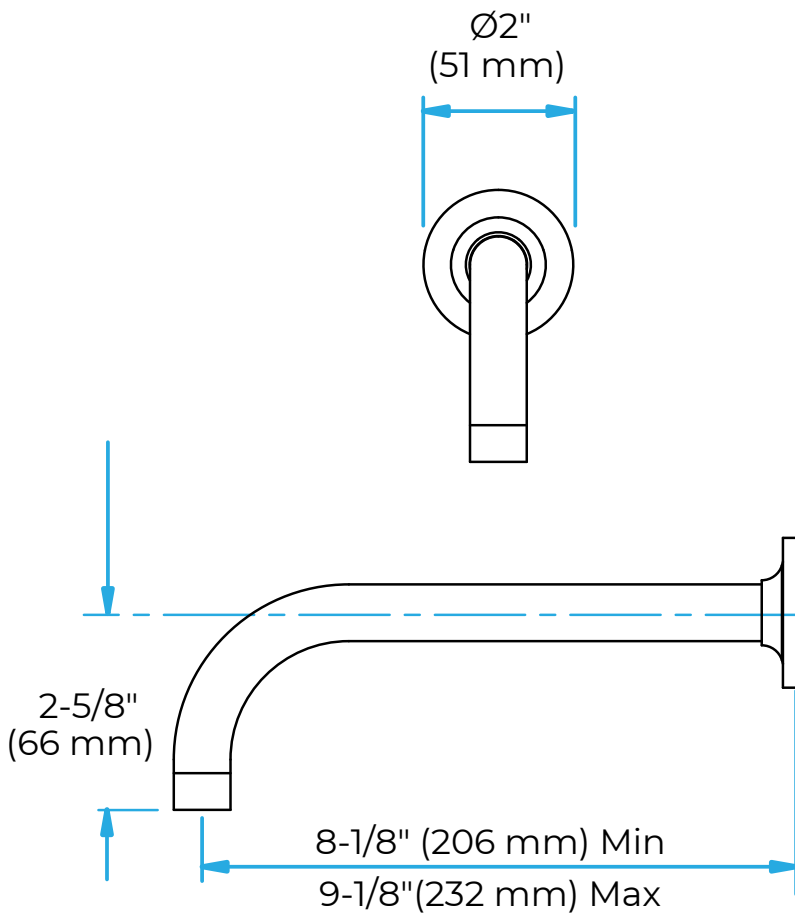
BRUSHED GOLD WALL MOUNT COMMERCIAL AUTOMATIC SENSOR FAUCET SPECIFICATIONS



Technical Information

- 0.5 gpm (1.9 LPM) maximum flow rate.
 - Vandal-resistant aerator.
 - 9" (229 mm) spout reach.
- Flow rate : 0.5 gal/min (1.9 L/min)
Pressure : 60 psi (4.1 bar)

Size



Overview

